

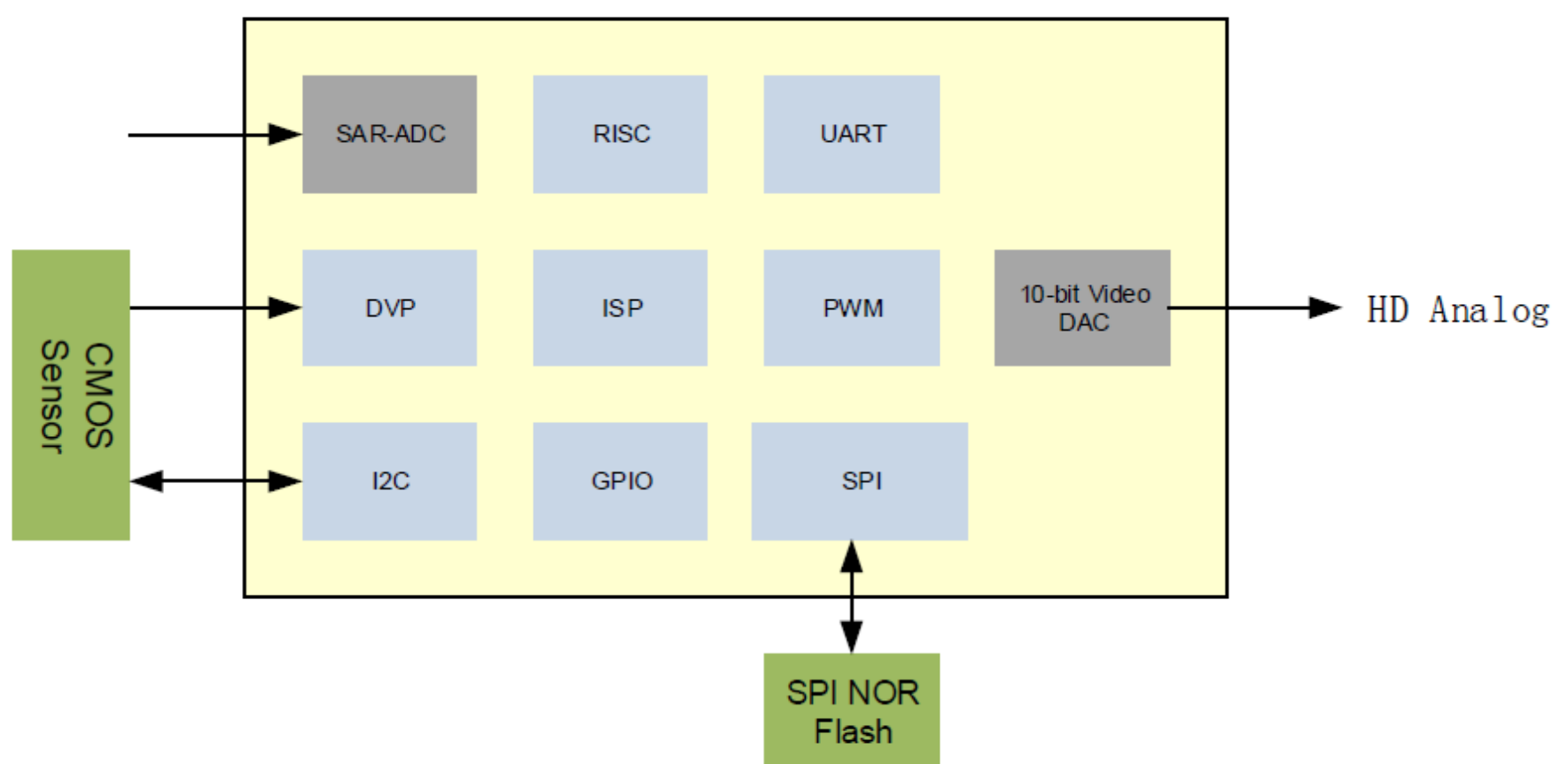
FH8536H: Good Lowlight performance & cost-effective 2M ISP for CCTV

FH8536H is a High Performance ISP for CIS (CMOS Image Sensor) and targeted on professional surveillance CCTV camera with internal HD Analog Tx. FH8536H supports 1M/1.3M/2M/3M Pixel CIS BAYER & RGBIR 4X4 pattern input. Its analog video outputs support standard CVBS/960H/ 1280H, 720P/1080P/3M HD Analog standard. The high performance 3D De-noise module achieves better low light performance. It also has a STE module which can support Lens Distortion Correction.

规格:

FH8536H			
CIS Input	Support 3M/2M/1.3M/ 1.0M CMOS sensor	Video Output	Analog Output: CVBS (1280H)
	RGB / RGBIR 4X4; Data Width 10bit; Clock edge, Frame polarity & Line polarity are configurable		HD Analog : 3M, 1080P, 720P
ISP Function	High performance CFA	Resolution	CVBS: 800TVL above
	High performance 3D de-noise		HD Analog : 1200TVL above (1080P)
	2D and Y/C de-noise	External Interface	I2C
	Auto AE/AWB		SPI
	STE (LDC)		UART
	LSC		GPIO
DPC	SADC		
PM & MD	PWM		
OSD Function	Customized TOSD/GOSD	Others	Working Temperature : -20°C ~ 70°C
			Typical Power Consumption: 380mW (1080P30)
			Power Supply: Analog (3.3V);IO(3.3V or 1.8V);Digital(1.1V)
			Package : QFN52 (6*6)

Diagram:



Typical Reference Design:

