

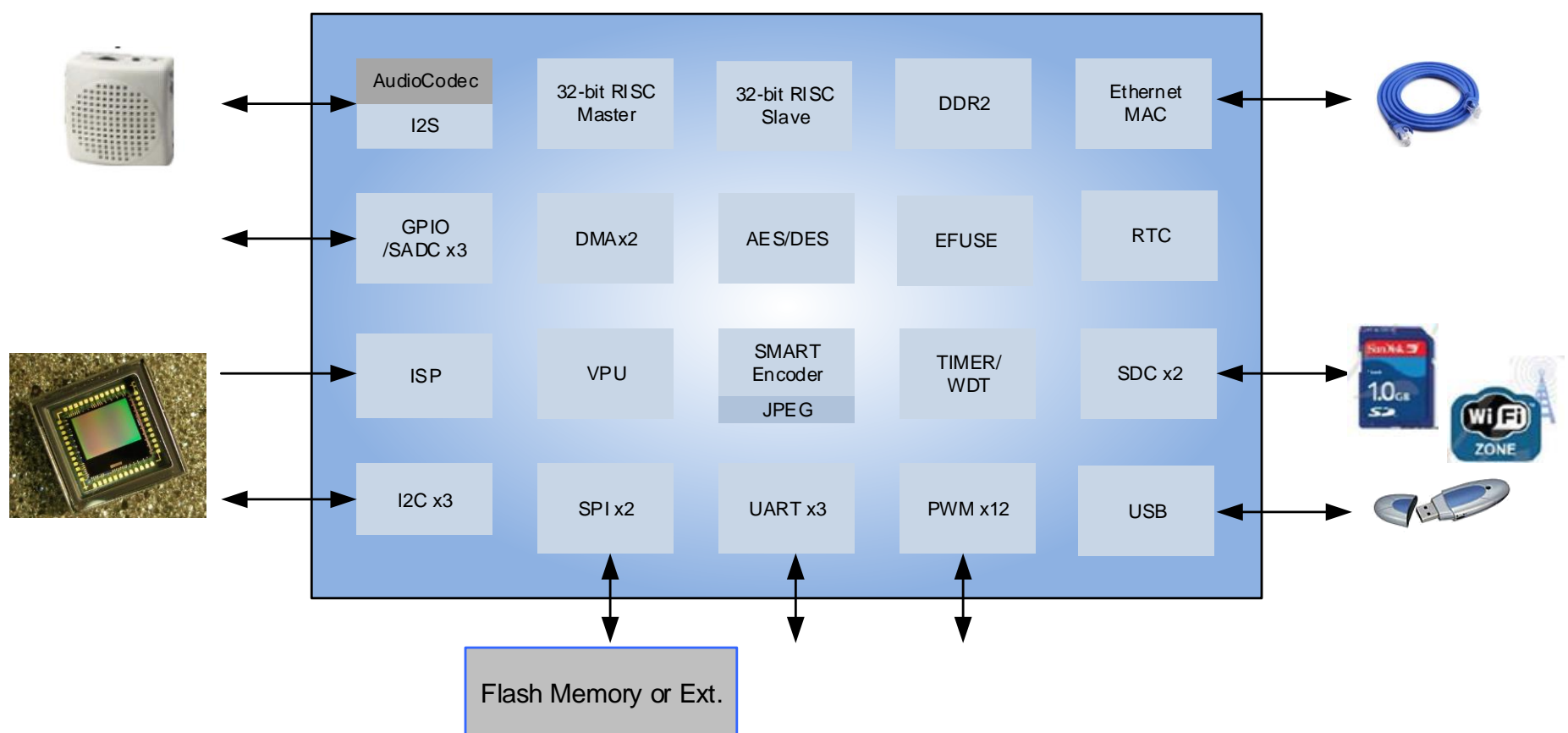
## FH8626V100: 1080P IP Camera SoC

FH8626V100 is a cost-effective and easy to develop IP camera solution. FH8626V100 provides a SoC solution for the HD IP camera with high quality on image and high performance on video encoding. Multi-streams are encoded by H.264 format at 1080p@15fps, as well as superior image signal processing (ISP). In addition, some smart applications such as intelligent human detection are available.

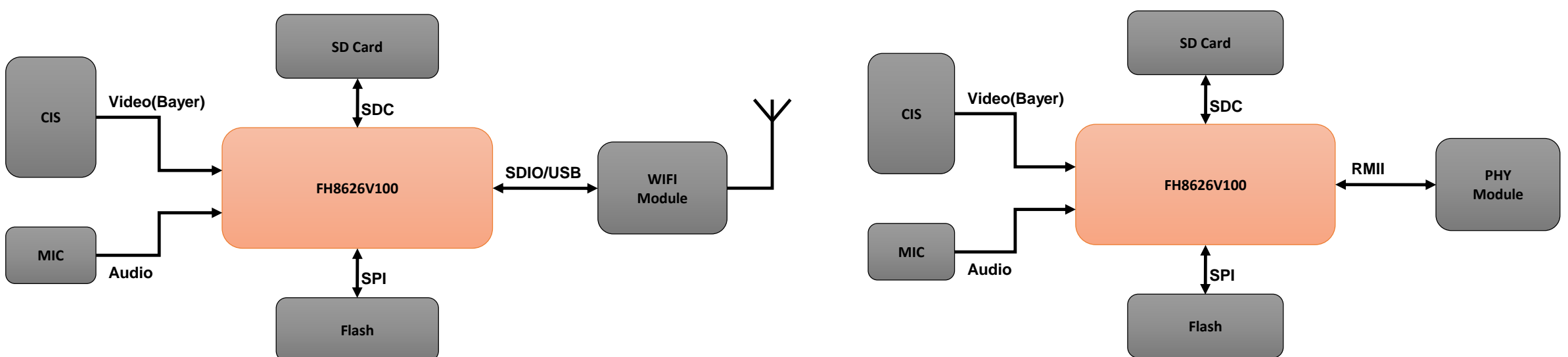
### Features:

CPU	32bit CPU@600Mhz	Ethernet	10M/100Mbps full-duplex or half-duplex mode
CIS Input	Support 1920*1080@15fps Input DVP/MIPI Input	Audio	Support one channel ADC and one channel DAC
ISP Function	High performance CFA interpolation Adaptive 2D de-noise, 3D de-noise, High Performance YUV de-noise	External Interface	3*I2C ; 2*SPI
	Auto white balance / Auto exposure Video Enhancement, Digital Zoom (brightness, sharpness, contrast, hue, saturation adjustment)		1*USB
Video Encoder	H.264 Encoder 1920*1080+768*432+352*288@15fps	OSD Function	GPIO
	Support JPEG encoder: 1920*1080@3fps		3*SADC
Security	Support AES/DES	Package	PWM
	Support EFUSE Memory inside		3*UART
			2*SDIO
			Support user defined and multi-channel OSD
			QFN88 ( 9mm x 9mm, pitch = 0.35mm )

### Diagram:



### Typical Application Solution:



Contact us:  
Shanghai Fullhan Microelectronics Co., Ltd.  
Address: No . 717 Yishan Road, Block 2, Floor 6,  
Xuhui District, Shanghai.  
Tel: +86 21 6112 1558  
Fax: +86 21 6406 6786  
Email: Sales@fullhan.com  
www.fullhan.com

