

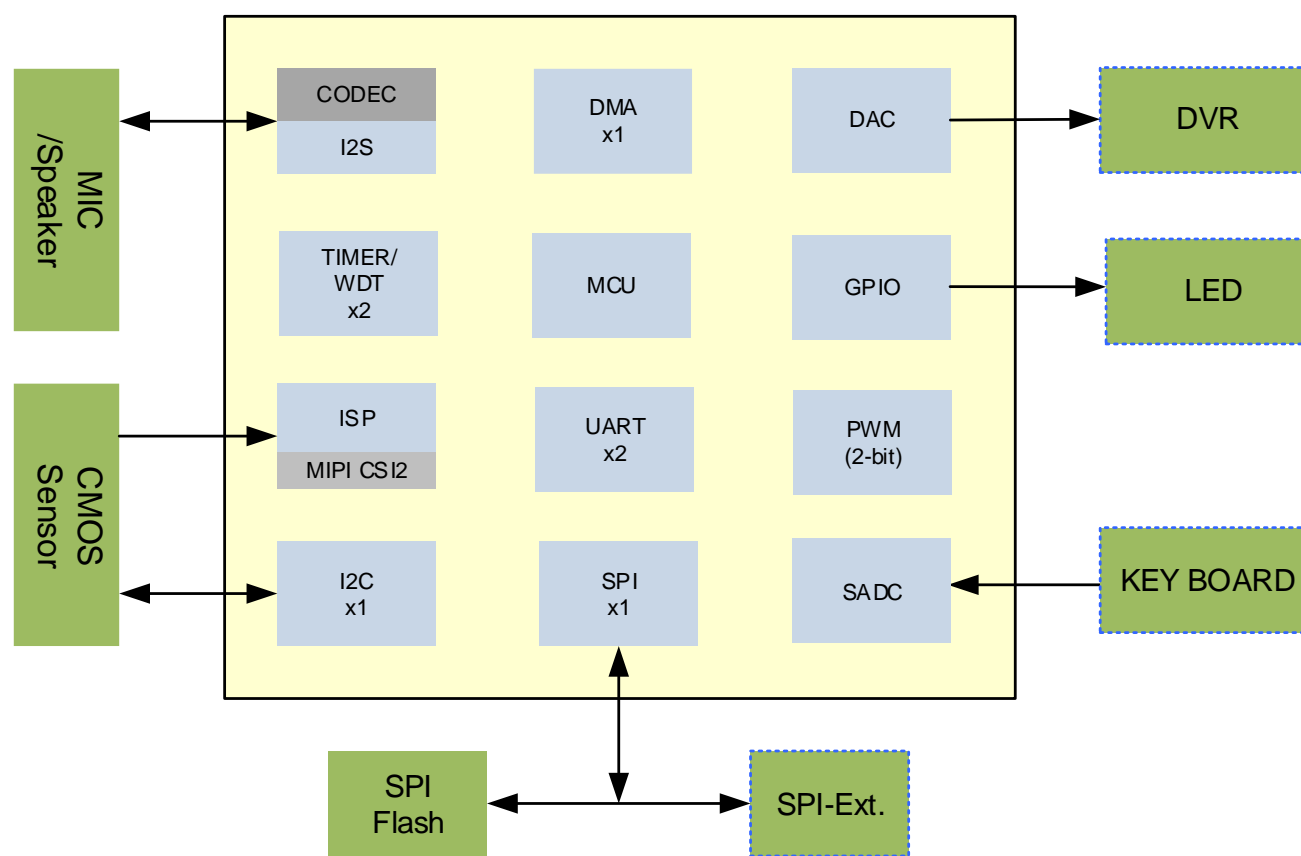
FH8538E: 5M High Performance ISP

FH8538E is a new generation high performance ISP CIS (CMOS Image Sensor) and targeted on professional surveillance CCTV camera with internal HD analog Tx. FH8538E has high integration level, including internal video DAC. FH8538E has rich interfaces, including high resolution ADC, difference MIC, 2 line SPI, PWM and GPIOs.

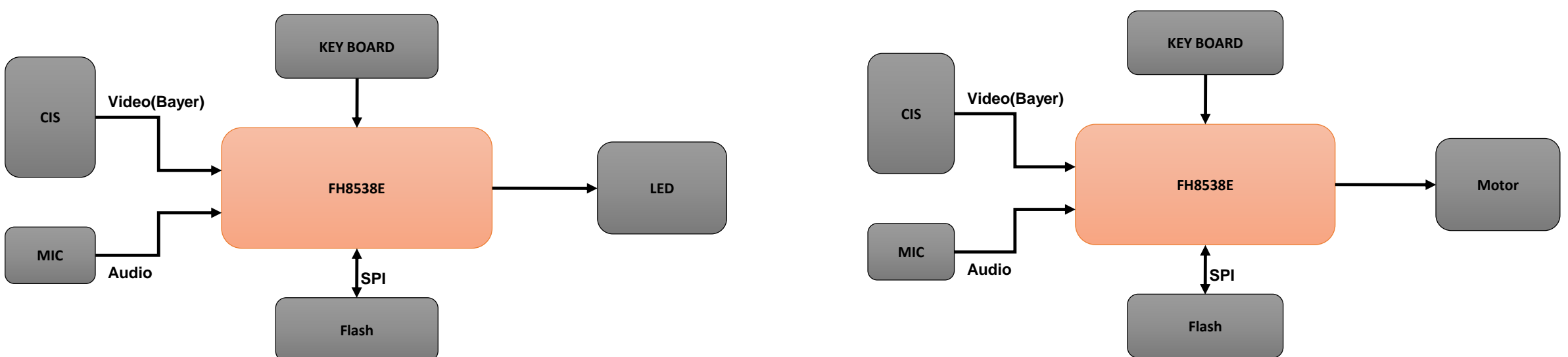
Features:

CIS Input	Support 3072x1728 Input	Video Output	Analog Output: CVBS/AHD/TVI/CVI
	4-lane MIPI Input		Output: up to 5MP
ISP Function	Support RGB Bayer	Coaxial Protocol	Support PTZ control
	Bad pixel removal		Support analog/digital audio protocols.
	High performance CFA interpolation	External Interface	1*I2C
	Adaptive 2D de-noise		1*SPI
Auto white balance / Auto exposure	OSD Function	GPIO	
Video Enhancement (brightness, sharpness, contrast, hue, saturation adjustment)		4*SADC	
CPU	32bit RISC MCU	Package	1*I2S
Audio	Single channel differential MIC		2*PWM
	ADC SNR 94dB		2*UART
			1xTOSD, 1xGOSD (up to 1080P)
			QFN68 (7mmx7mm, pitch=0.35mm)

Diagram:



Typical Application Solution:



Contact us: Shanghai Fullhan Microelectronics Co., Ltd.
 Address: No. 717 Yishan Road, Block 2, Floor 6,
 Xuhui District, Shanghai. Tel: +86 21 6112 1558 Fax: +86
 21 6406 6786 Email: Sales@fullhan.com
www.fullhan.com

