

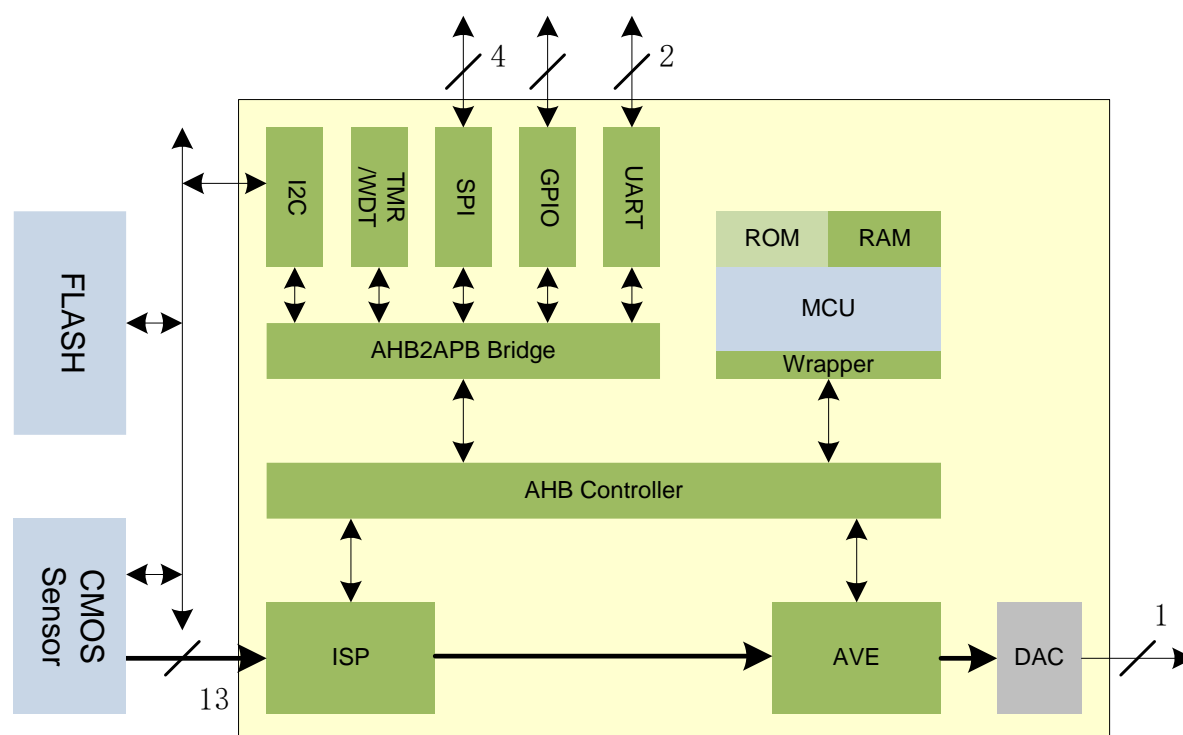
FH8536E: Low-Power High Performance 1080P ISP for CCTV

FH8536E is a Low-Power High Performance ISP for CIS (CMOS Image Sensor) and targeted on professional surveillance CCTV camera with internal HDcctv Tx. It's package compatible with FH8536. FH8536E supports 1M/1.3M/2.0M Pixel CIS 10bits BAYER input. Its analog video outputs support standard CVBS/960H/1280H, 720P60/50/30/25 & 1080P25/30 HDcctv standard. FH8536E supports 2D De-noise, OSD, Coaxial control and it also has special engine to improve the HDcctv signal transmission quality with long distance. FH8536E has a big embedded RAM for various customized functions. It's suitable for all kinds of 1080P HDcctv camera application.

规格:

FH8536E			
CIS Input	Support 1.3M (1280*960) / 1.0M (1280*720) / 2M CMOS sensor	Video Output	Analog Output: CVBS (1280H)
	RGB; Data Width 10bit; Clock up to 108MHz Clock edge, Frame polarity & Line polarity are configurable		HDcctv : 1080P25/30, 720P60/50/30/25
ISP Function	Fixed pattern noise eliminate	Resolution	CVBS: 800TVL above
	High performance CFA		HDcctv : 1200TVL above (1080P)
	Adaptive 2D de-noise	External Interface	I2C
	High performance Y/C de-noise		SPI
	Auto AE/AWB		UART
LSC	Others	GPIO	
DPC		SADC	
			PWM
			Working Temperature : -20°C ~ 70°C
			Typical Power Consumption: 300mW (1080P30)
			Power Supply: Analog (3.3V);IO(3.3V or 1.8V);Digital(1.2V)
OSD Function	Customized OSD		Package : QFN56 (7*7)

Diagram:



Typical Reference Design:

