

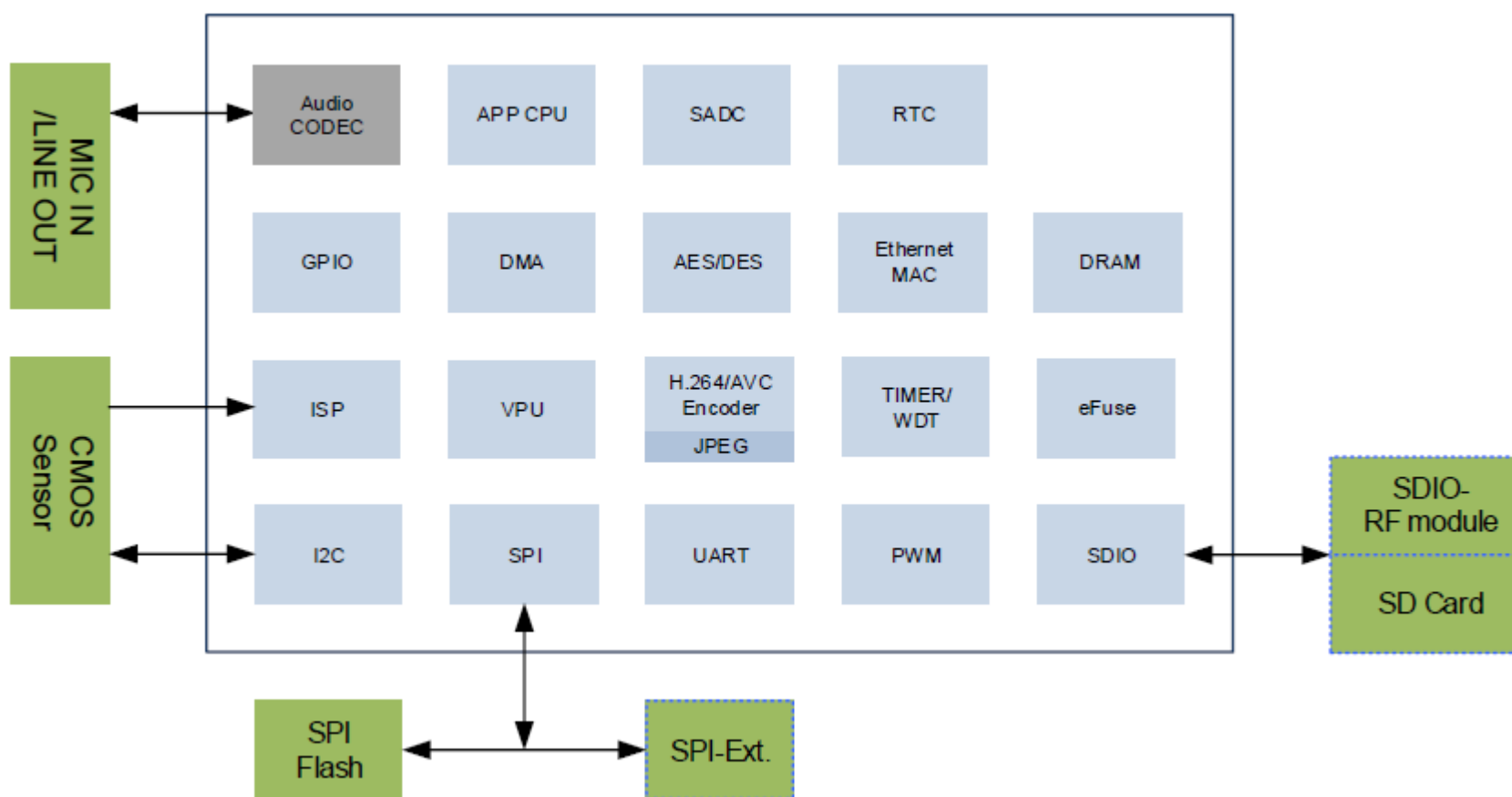
FH8630D: 2Mega High Performance Camera SoC

FH8630D is a low-power consumption, high performance H.264 encode SOC for 2Mega wire or wireless camera application. It has high performance ISP function, and high performance encoding quality. FH8630D supports Smart H.264 encode technology which can save more than 50% bitrates than traditional H.264 technology. It also provides multi external communication interfaces, include audio, SD card and Ethernet etc. It is a valuable choice for your 2M IPC solution.

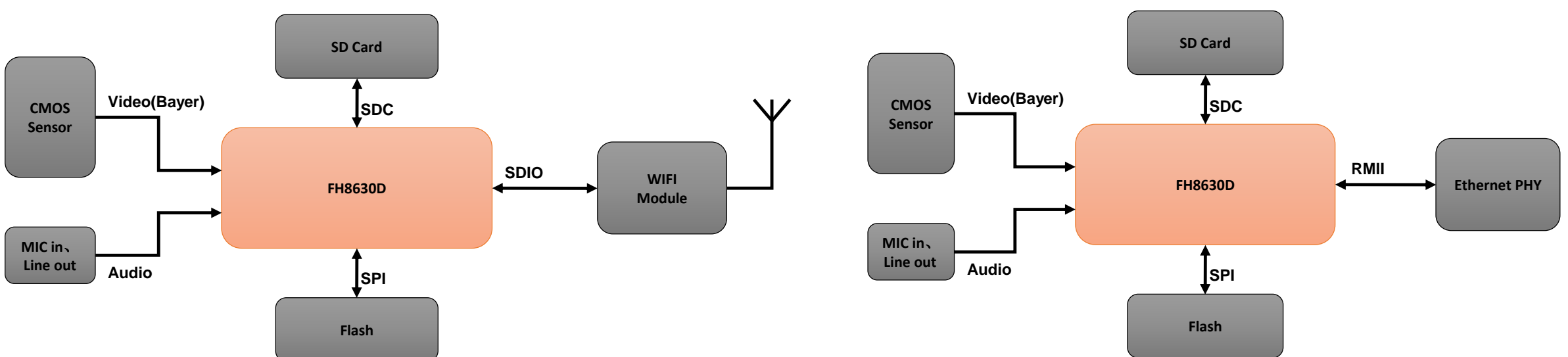
Features:

| | | | |
|---|--|--------------------|---|
| FH8630D | | | |
| CPU | ARM1176 | Video Encoder | H.264 Video Encoder: 1920*1080@30fps Support JPEG Encoder, 1920*1080 @ 1fps |
| CIS Input | Support 1920*1080@30fps input DVP: RGB Bayer, Data Width 9bit | Security | Support AES、DES、3DES etc. Support EFUSE Memory inside |
| ISP Function | Reduce fixed pattern noise | Audio | Internal Audio Codec |
| | High performance CFA interpolation, Support Local Tone Mapping and 2-frame WDR | External Interface | 2*I2C |
| | Adaptive 2D de-noise, 3D de-noise, High Performance YUV de-noise | | 4*SPI |
| | Auto white balance / Auto Iris lens / Auto exposure / Auto focus | | GPIO, POR, 2 channel SADC, RTC |
| | Support lens shade correction | | 7*PWM |
| Support Auto black calibration | 3*UART | Others | Package: QFN80 (9mm x 9mm, pitch = 0.4mm) |
| Support auto electronic shutter; Slow Shutter | 2*SDIO | | |
| OSD Function | Support user defined and multi-channel OSD | | |

Diagram:



Typical Application Solution:



Contact Us:
ShangHai Fullhan Microelectronics Co., Ltd.
ADD: A703, No. 1050 WuZhong Road,
MinHang District, ShangHai, P.R.C. 201103
TEL: +86 21 6112 1558
FAX: +86 21 6406 6786
Email: Sales@fullhan.com
Website: www.fullhan.com

